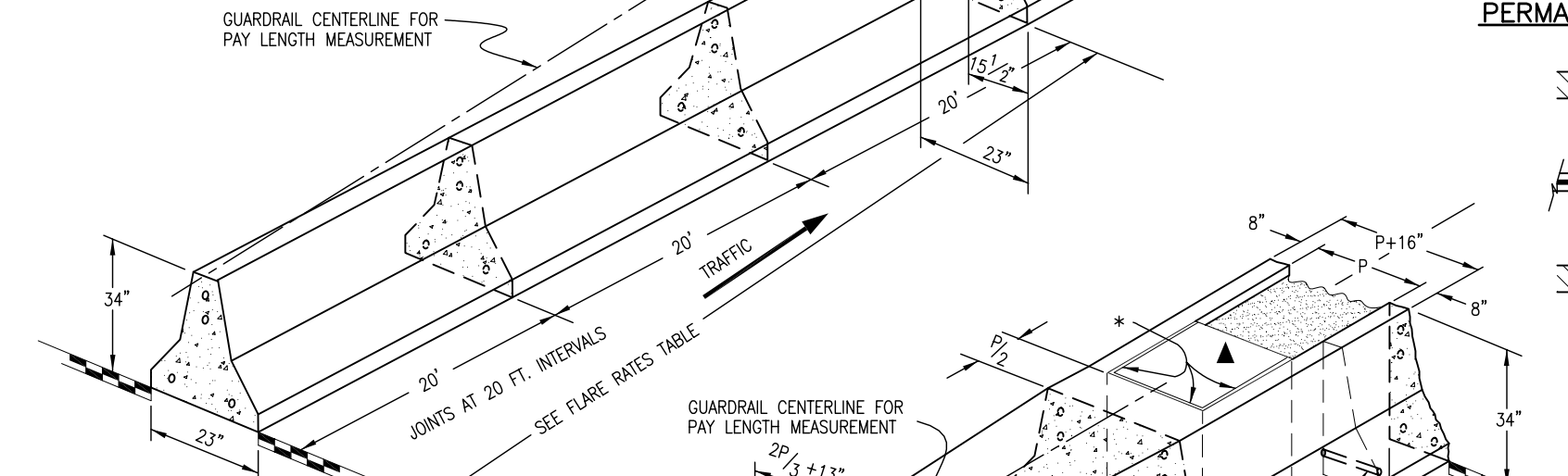
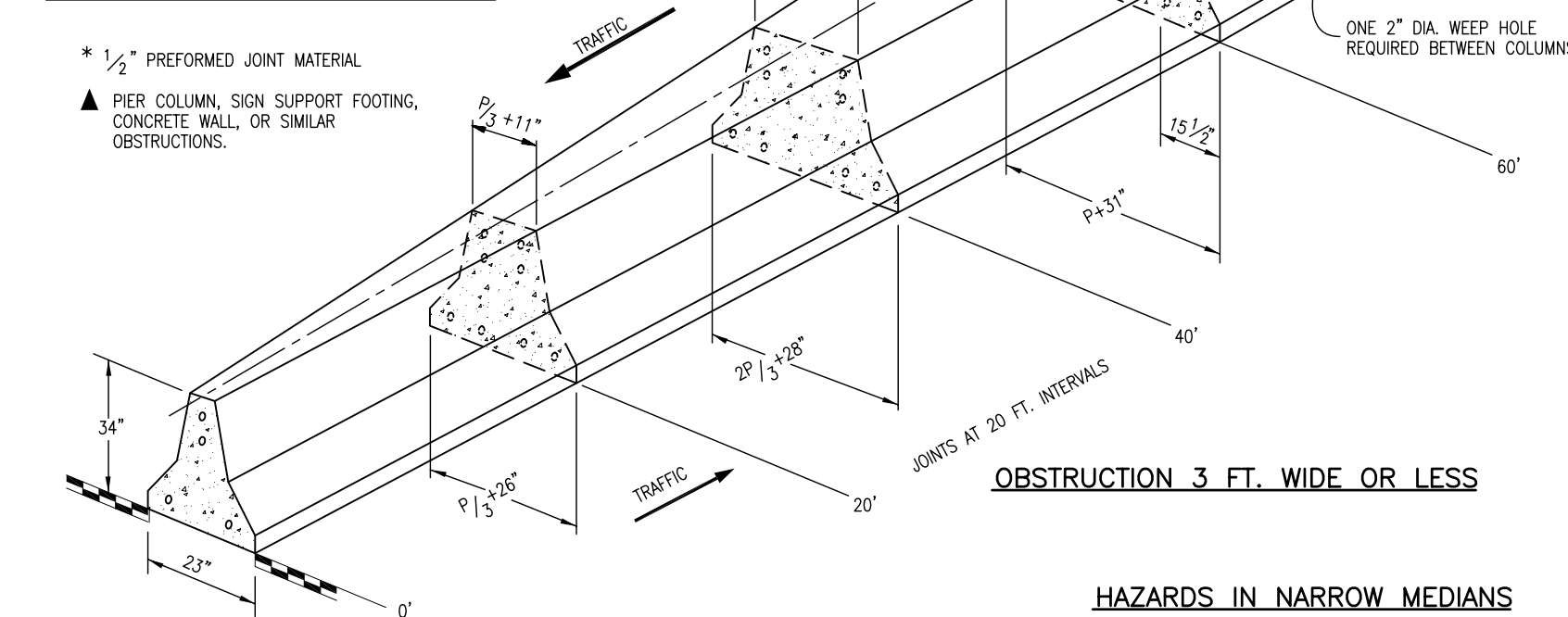


**TREATMENT BETWEEN COLUMNS OR OBSTRUCTIONS**



**OBSTRUCTION WIDER THAN 3 FT.**

- \* 1/2" PREFORMED JOINT MATERIAL
- ▲ PIER COLUMN, SIGN SUPPORT FOOTING, CONCRETE WALL, OR SIMILAR OBSTRUCTIONS.



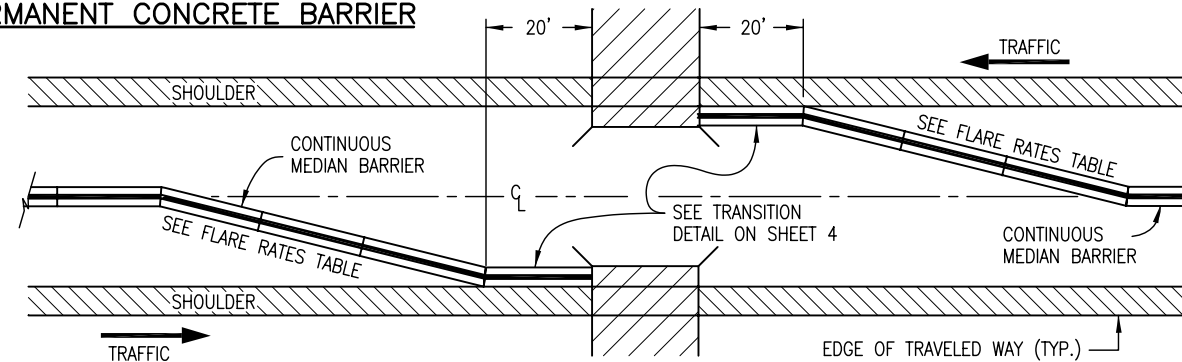
**OBSTRUCTION 3 FT. WIDE OR LESS**

**HAZARDS IN NARROW MEDIANS**

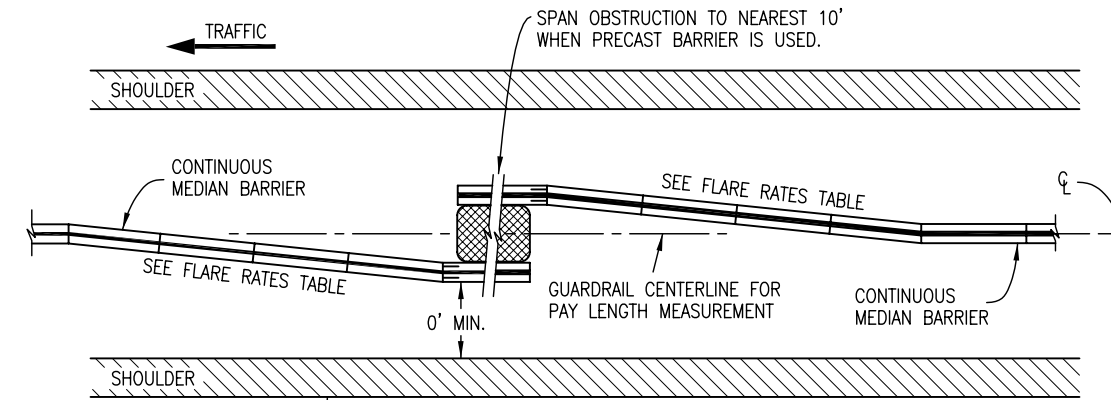
DESIGN SPEED (MPH)	SHY LINE OFFSET (FT.)*	FLARE RATE FOR BARRIER INSIDE SHY LINE	FLARE RATE FOR BARRIER OUTSIDE SHY LINE
80	12	30:1	20:1
75	10.5	30:1	20:1
70	9	30:1	20:1
60	8	26:1	18:1
55	7	24:1	16:1
50	6.5	21:1	14:1
45	5.5	18:1	12:1
40	4.5	16:1	10:1
30	3.5	13:1	8:1

\* THE SHY LINE OFFSET IS MEASURED FROM THE EDGE OF THE TRAVELED WAY.

**TABLE OF FLARE RATES FOR PERMANENT CONCRETE BARRIER**

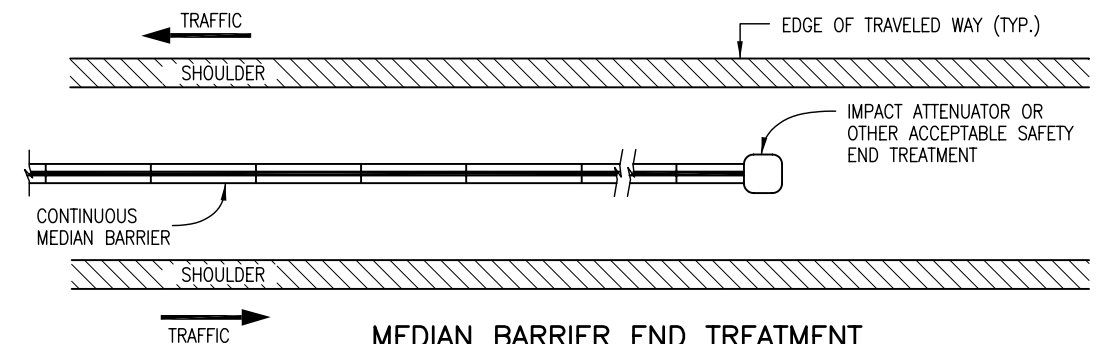


**BRIDGE APPROACH**



**STYLE CA AT OBSTRUCTION**

(OBSTRUCTION NOT SUITABLE FOR STYLE CD)



**MEDIAN BARRIER END TREATMENT**

**NOTES**

1. THE MEDIAN IN THESE APPLICATIONS SHALL BE PAVED ON A SLOPE CONTINUED FROM THE ADJACENT PAVED SHOULDER OR A 10:1 OR FLATTER SLOPE.
2. THE PAY LENGTH FOR BARRIER ON BOTH SIDES OF AN OBSTRUCTION WILL BE DETERMINED BY ONE LINEAR MEASUREMENT ALONG THE GUARDRAIL CENTERLINE. THE BACKFILL AND CAP BETWEEN COLUMNS OR OBSTRUCTIONS WILL NOT BE MEASURED AND PAID FOR SEPARATELY BUT SHALL BE INCLUDED IN THE WORK.
3. GUARDRAIL BETWEEN COLUMNS OR OBSTRUCTIONS MAY BE STYLES CD OR CA AS SHOWN ON THE PLANS.

**Computer File Information**

Creation Date: 07/04/06 Initials: SJR  
 Last Modification Date: 07/04/06 Initials: LTA  
 Full Path: www.dot.state.co.us/DesignSupport/  
 Drawing File Name: 6060130304.dwg  
 CAD Ver.: MicroStation V8 Scale: Not to Scale Units: English

**Sheet Revisions**

Date:	Comments
(R-X)	
(R-X)	
(R-X)	
(R-X)	

Colorado Department of Transportation

4201 East Arkansas Avenue  
 Denver, Colorado 80222  
 Phone: (303) 757-9083  
 Fax: (303) 757-9820

Project Development Branch SRJ/LTA

**GUARDRAIL TYPE 7  
F-SHAPE BARRIER**

Issued By: Project Development Branch on July 04, 2006

STANDARD PLAN NO.

M-606-13

Sheet No. 3 of 4